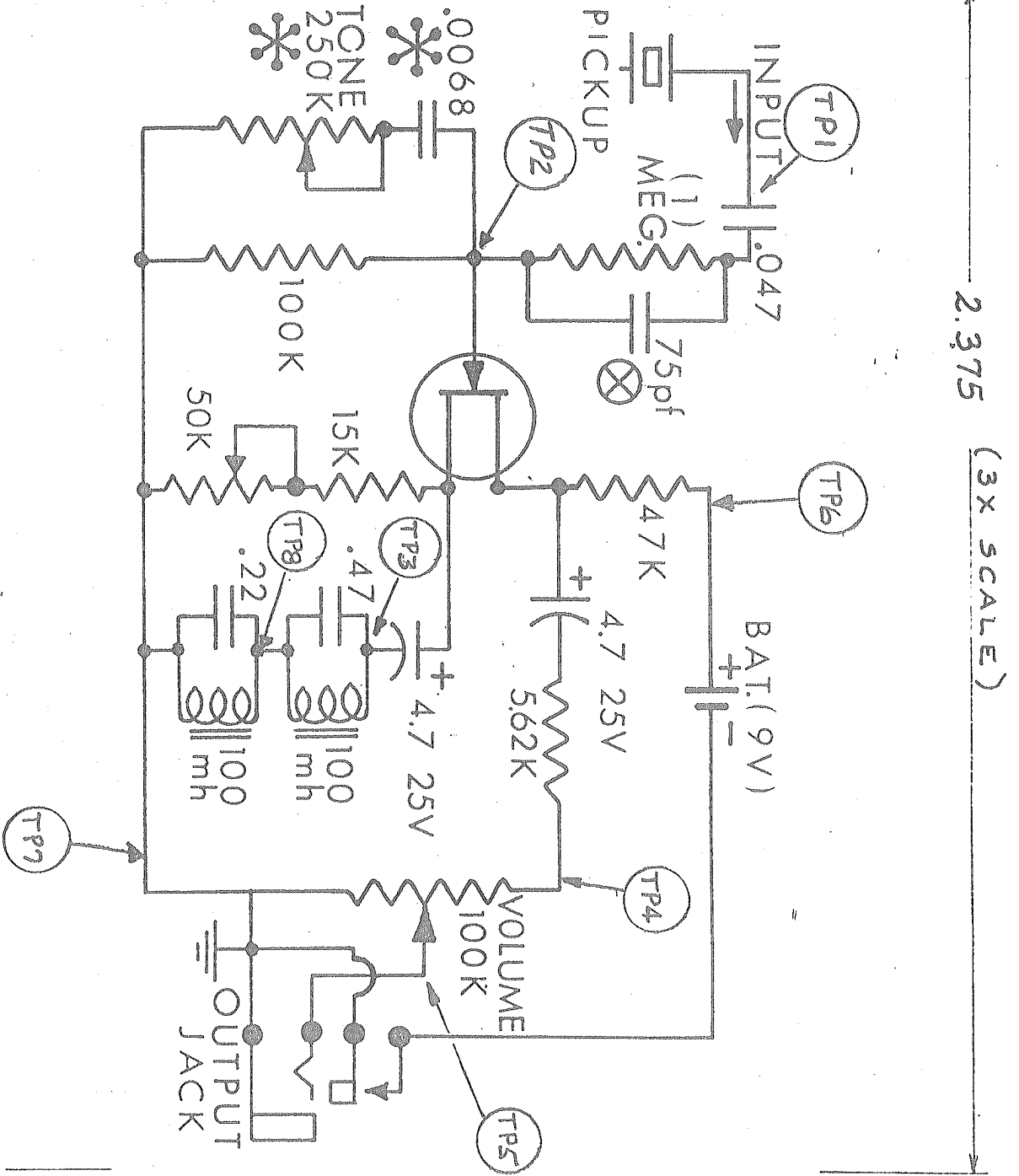


OAVATION STEREO



ONE (1) CHANNEL SHOWN - FOR STEREO APPLICATIONS.

⊗ USED ONLY ON 1? STRING PRE AMPS.

* USED ONLY ON PRE AMPS WITH TONE CONTROL.

REVISED 8-21-84

STEREO JACK

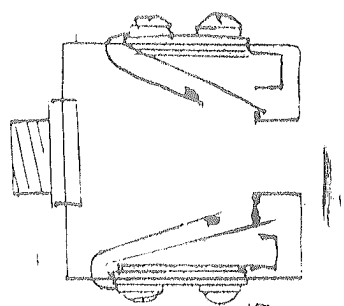
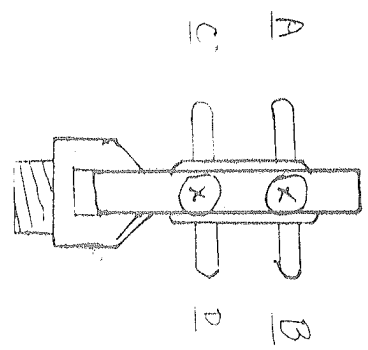
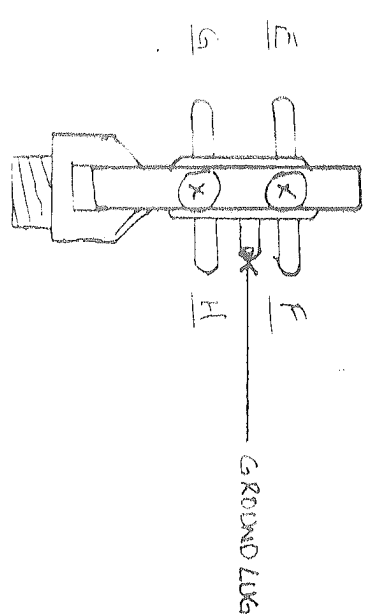


DIAGRAM 491010-X

LONG SIDE



SHORT SIDE



PAGE 3 PGS

MONO JACK

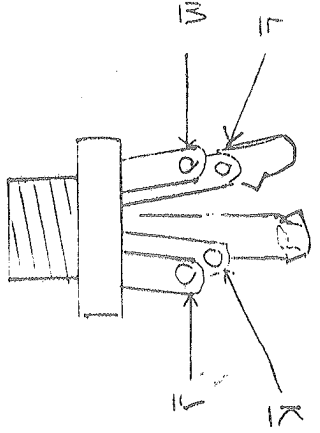
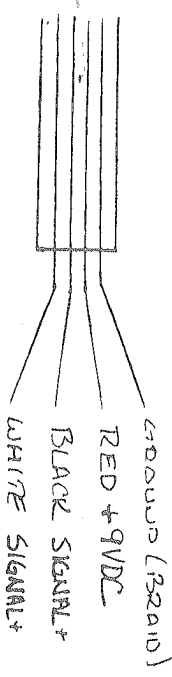


DIAGRAM 102000, 103600

FROM PREAMP



CONNECTIONS

- A. GROUND FROM PREAMP (TIE TO FRAME)
- B. OPEN
- C. BLACK FROM PREAMP TIE TO M
- D. RED FROM PREAMP-TIE TO G AND J
- E. OPEN
- F. TIE TO H AND WHITE FROM PREAMP
- G. TIE TO D & J
- H. TIE TO F
- I. TIE TO D & G - PREAMP RED
- K. TIE TO L AND GROUND LUG AND OTHER JACK
- L. TIE TO K
- M. TIE TO C - PREAMP BLACK

DIVISION STEREO PREAMP

CONNECTIONS DIAGRAM

811197 K. KEUER



JOHN M. BUDNY
Customer Service Manager



Ovation Instruments & Hamer Guitars
Division of Kaman Music Corporation
37 Greenwoods Road
P.O. Box 205
New Hartford, CT 06057-0205

(860) 379-7575 ext 120
(800) 552-4681
Fax: (860) 738-3495
jbudny-kmc@kaman.com

KAMAN